

Impulse ignitor for high pressure discharge lamps with Intelligent Pulse-Pause-mode (IPP) and additional switch-off function



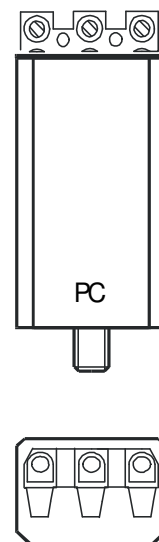
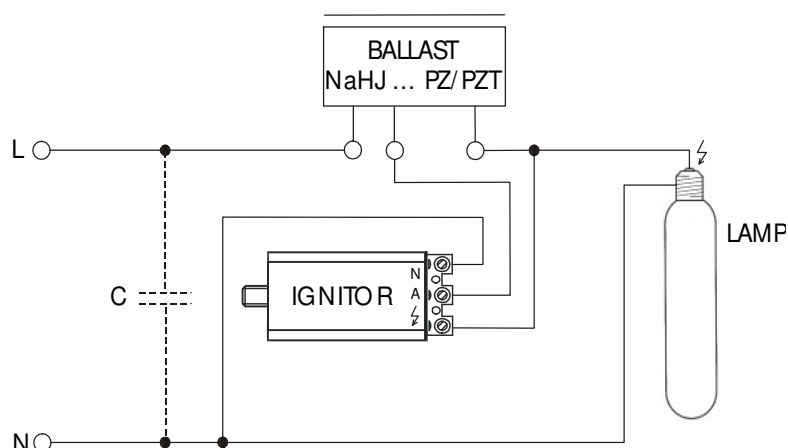
Our ignitors comply with the specification of EN 61347-2-1 and EN 60927.

The ignitors are suitable for luminaries of protection class I and II.

Technical Data		Unit	142784 PZ 1000 KD20
lamp type			HS 50-1000W; C-HI, HI 35-400W
nominal voltage		V	220 – 240V ±10%
nominal frequency		Hz	50 – 60
ignition voltage		kV	1,8 – 2,3 ¹⁾ 4,0 – 5,0 ¹⁾
impulse width at 1620V at 2700V		µs	≥4 ≥4
no. of impulses per cycle			≥2
switch-off characteristic	max. ignition time	min	20
	max. ignition attempts safe burning time	min	3 (condition: burning time < safe burning time) 85
switch-off /-on voltage		V	170 – 198
load capacity		pF	20 – 1000 ²⁾
max. permitted casing temp.		°C	95
min. permitted ambient temp.		°C	-30
dimensions		mm	PC: 74 x 34 x 27
weight		kg	0,100
screw terminal		mm ²	0,75 – 2,5
fixing (metal bolt)			M8 x 10

1) Ignition voltage depends on ballast's special tapping of winding

2) In special applications distances up to 20m allowed, please ask if there is special requirement



Subject to change without notice!

04/2008